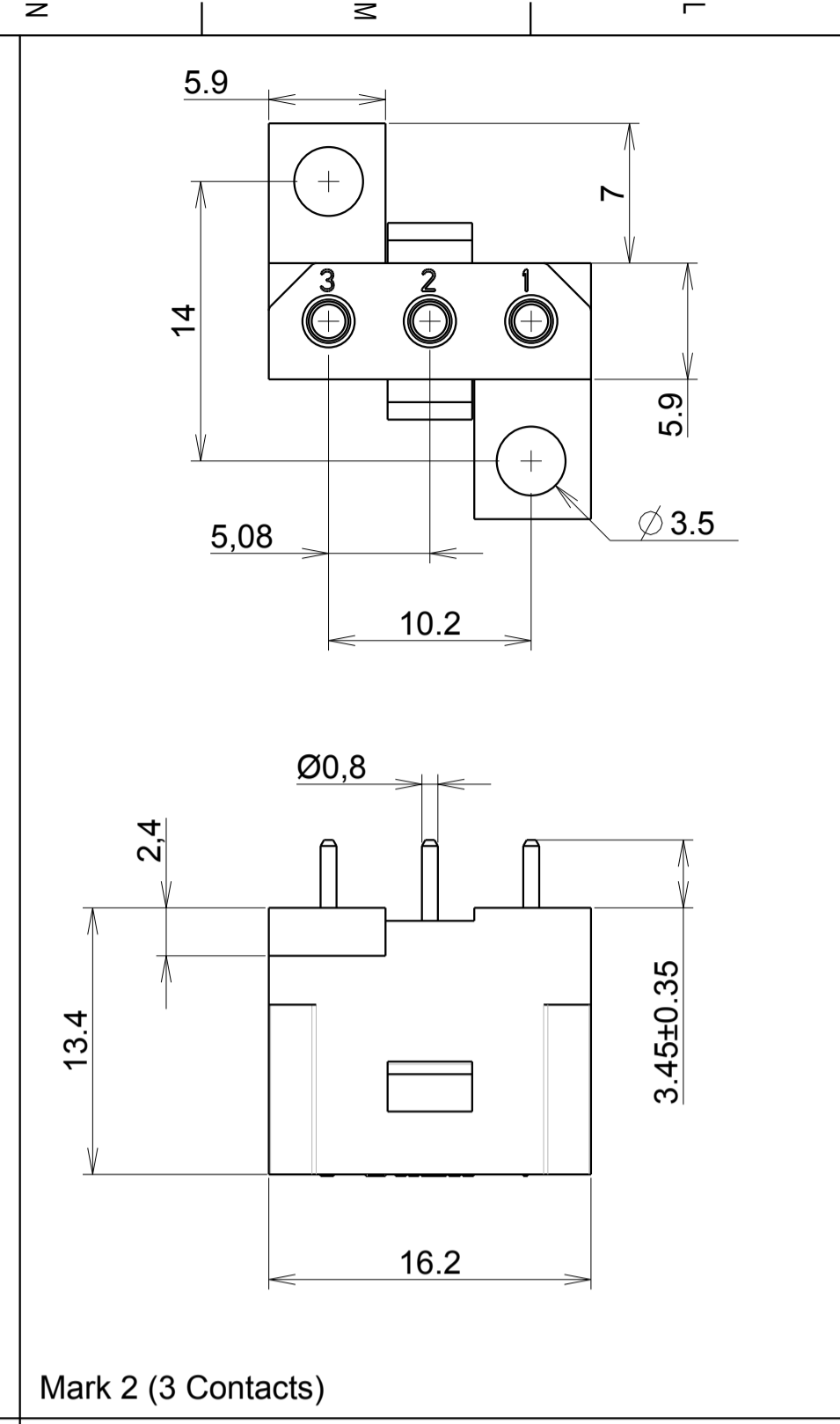
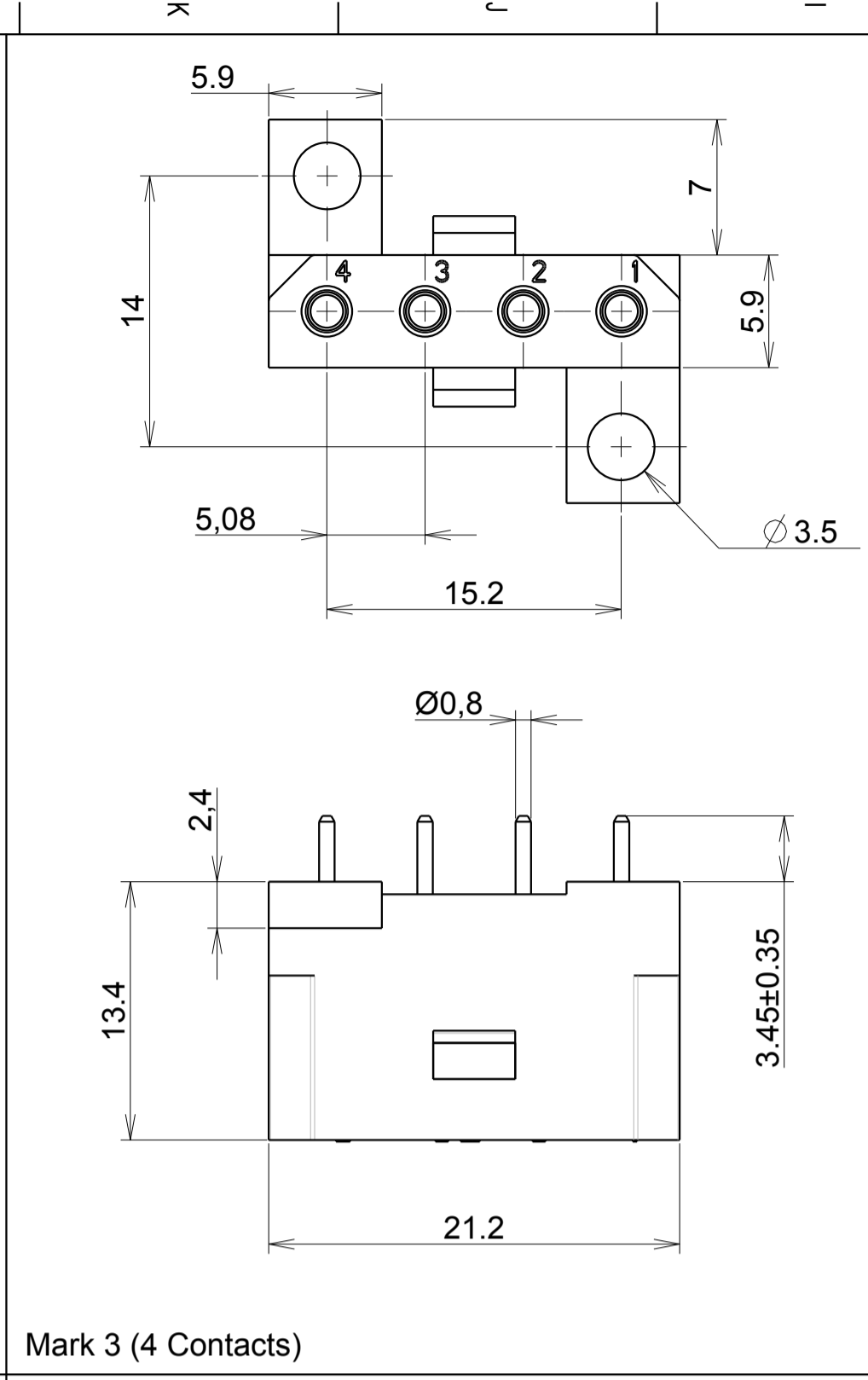


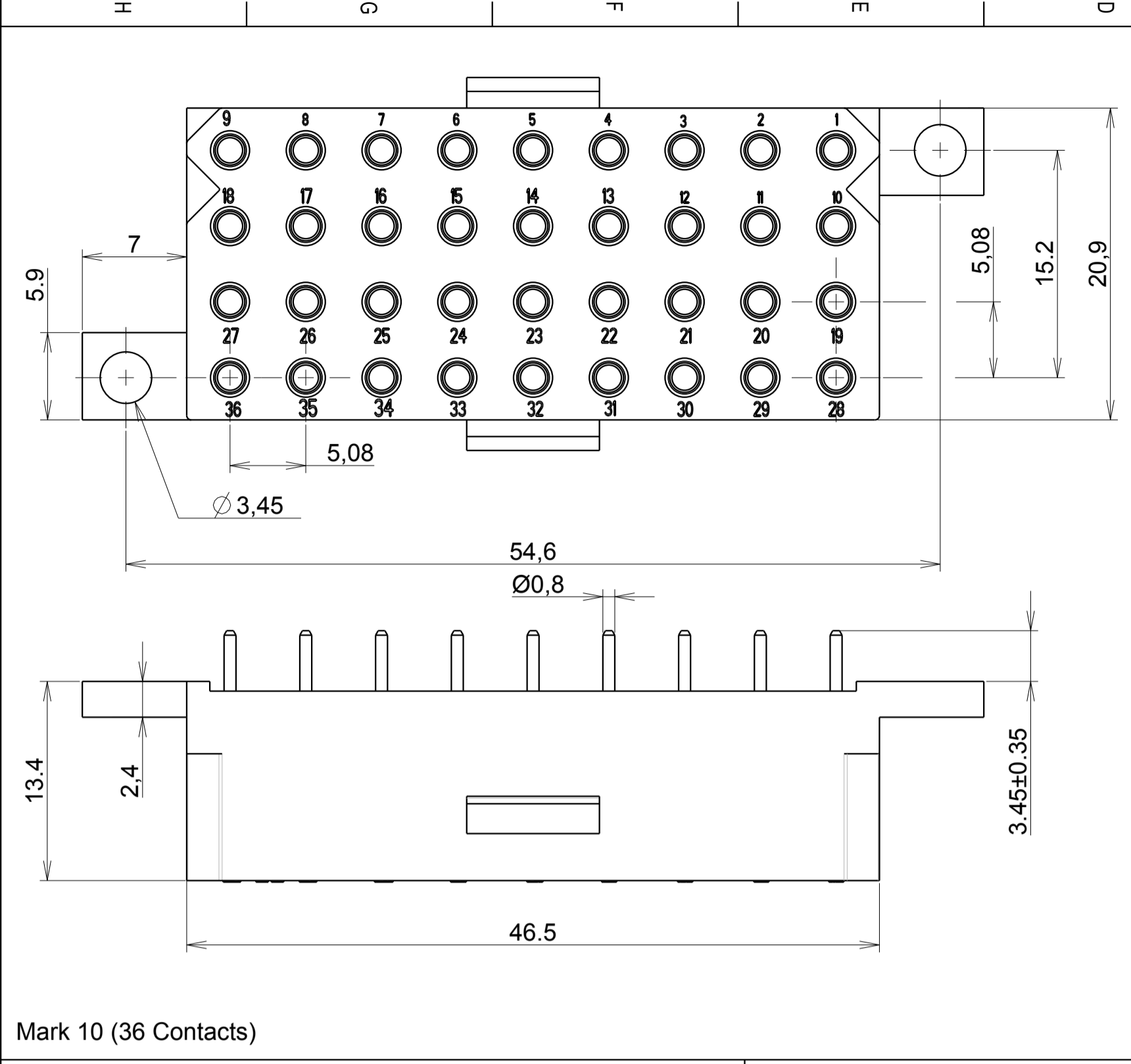
Mark 1 (2 Contacts)



Mark 2 (3 Contacts)



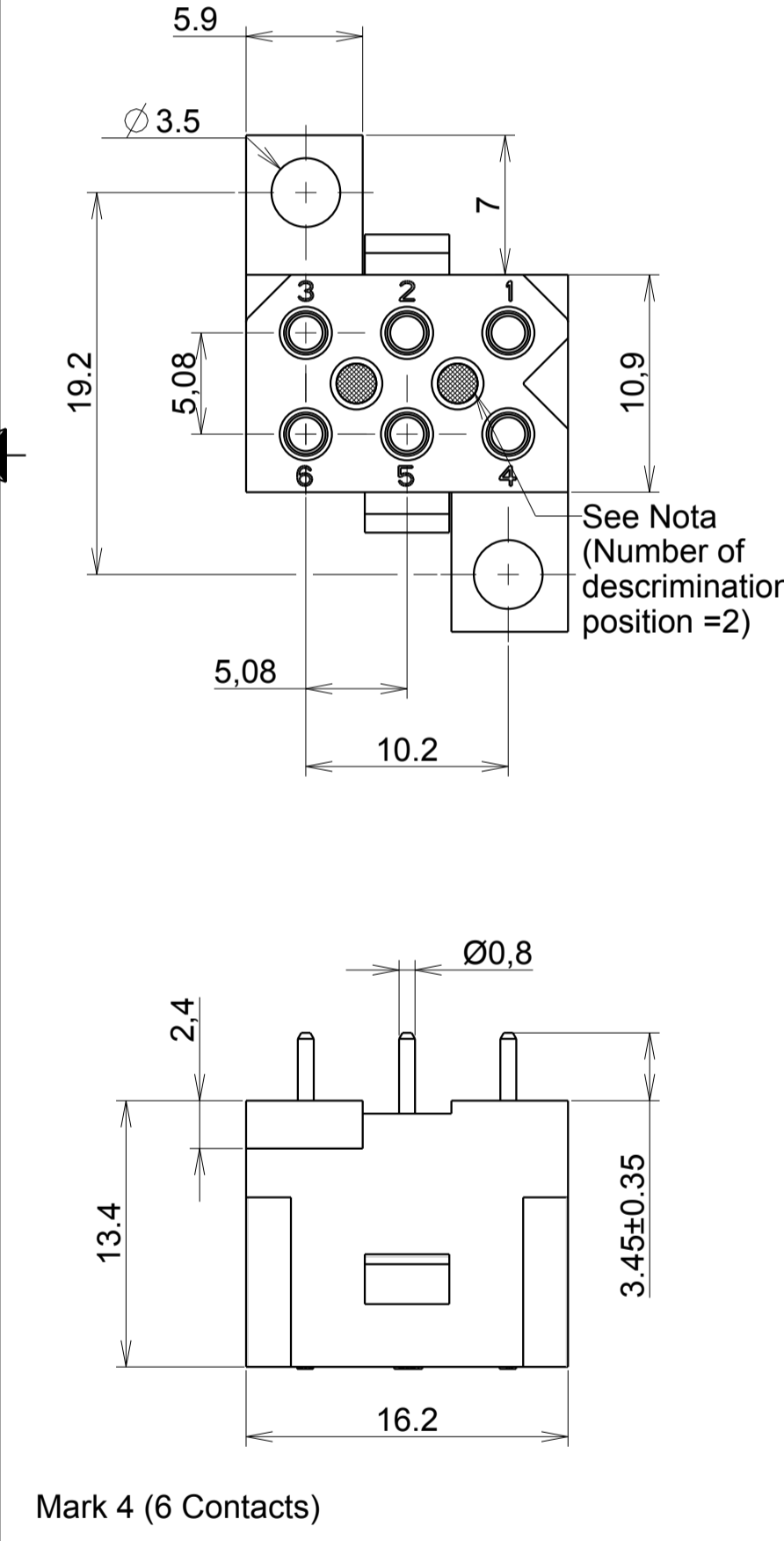
Mark 3 (4 Contacts)



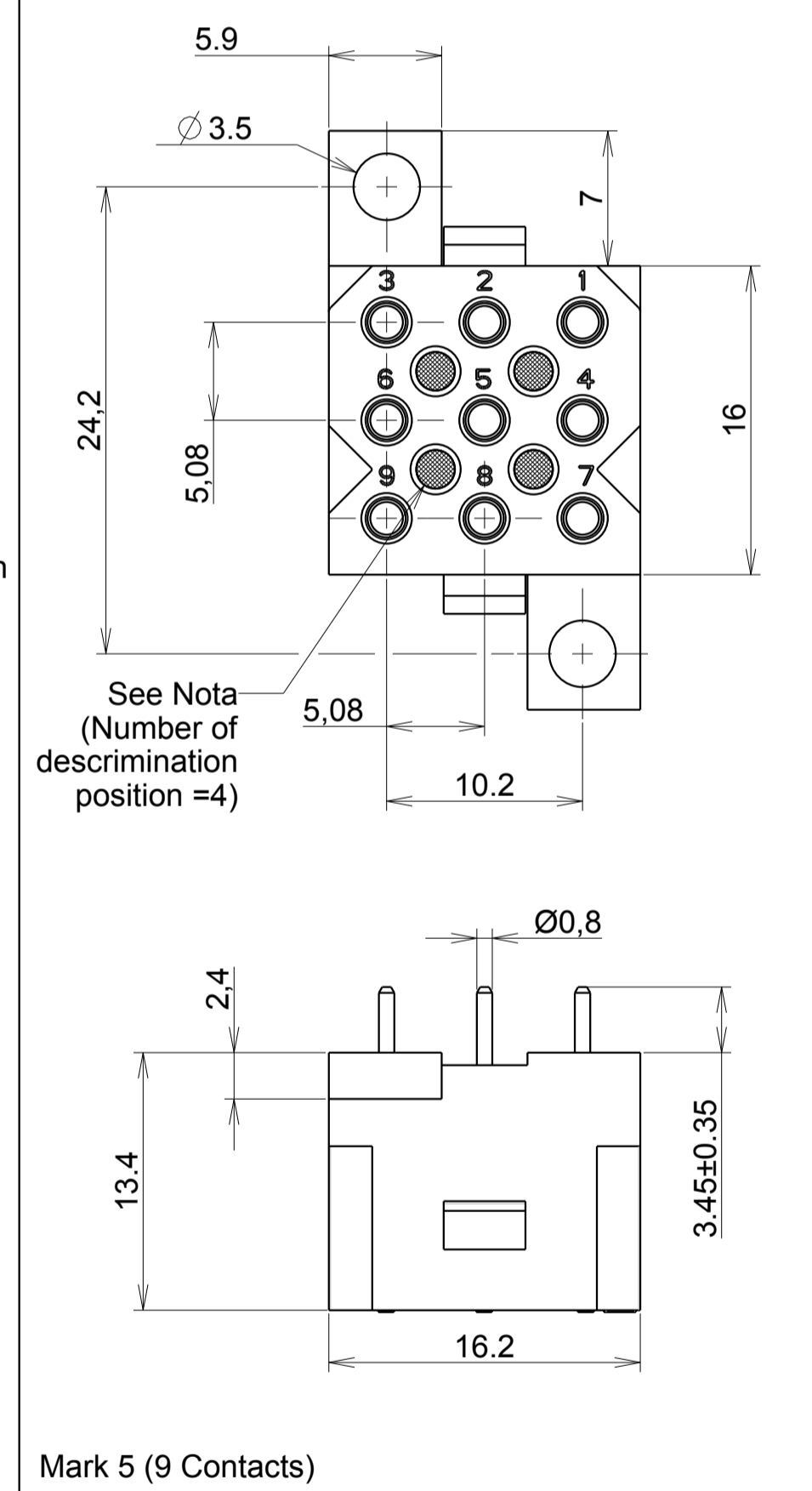
Mark 10 (36 Contacts)

ELECTRICAL CHARACTERISTICS	DIAMETER MALE CONTACT	1.6 mm
	RATED VOLTAGE	110 U 220V AC according to NFF 61030
	WITHSTAND VOLTAGE	2 550V AC according to NFF 61030
	CREEPAGE DISTANCE	2.5 mm
ENVIRONMENTAL CHARACTERISTICS	CLEARANCE	2.5 mm
	RATED CURRENT FOR THE CONNECTOR WITH ALL CONTACTS	7.5 A
	INSULATION RESISTANCE	>4000 MΩ
MECHANICAL CHARACTERISTICS	CONTACT RESISTANCE	< OU = 2.5 mΩ
	CLIMATIC RANGE	40/100/21
	PROTECTION DEGREE (CONNECTOR MATED)	IP30
	FIRE BEHAVIOUR	12F3
	CORROSION BEHAVIOUR	96 H
	TEMPERATURE RANGE	-40 / +100°C
ROHS COMPLIANT	OUI	
MATING FORCE	VERSION 2 POINTS - 4.5 N VERSION 3 POINTS - 6.5 N VERSION 4 POINTS - 9 N VERSION 6 POINTS - 13.5 N VERSION 9 POINTS - 19.5 N VERSION 12 POINTS - 27 N VERSION 15 POINTS - 33 N VERSION 18 POINTS - 40 N VERSION 24 POINTS - 53.5 N VERSION 36 POINTS - 80 N	
INSULATOR RETENTION FORCE	N/A	
CONTACTS RETENTION FORCE	>15N	
CONTACTS PROTECTION (SCOOP PROOF)	50%	

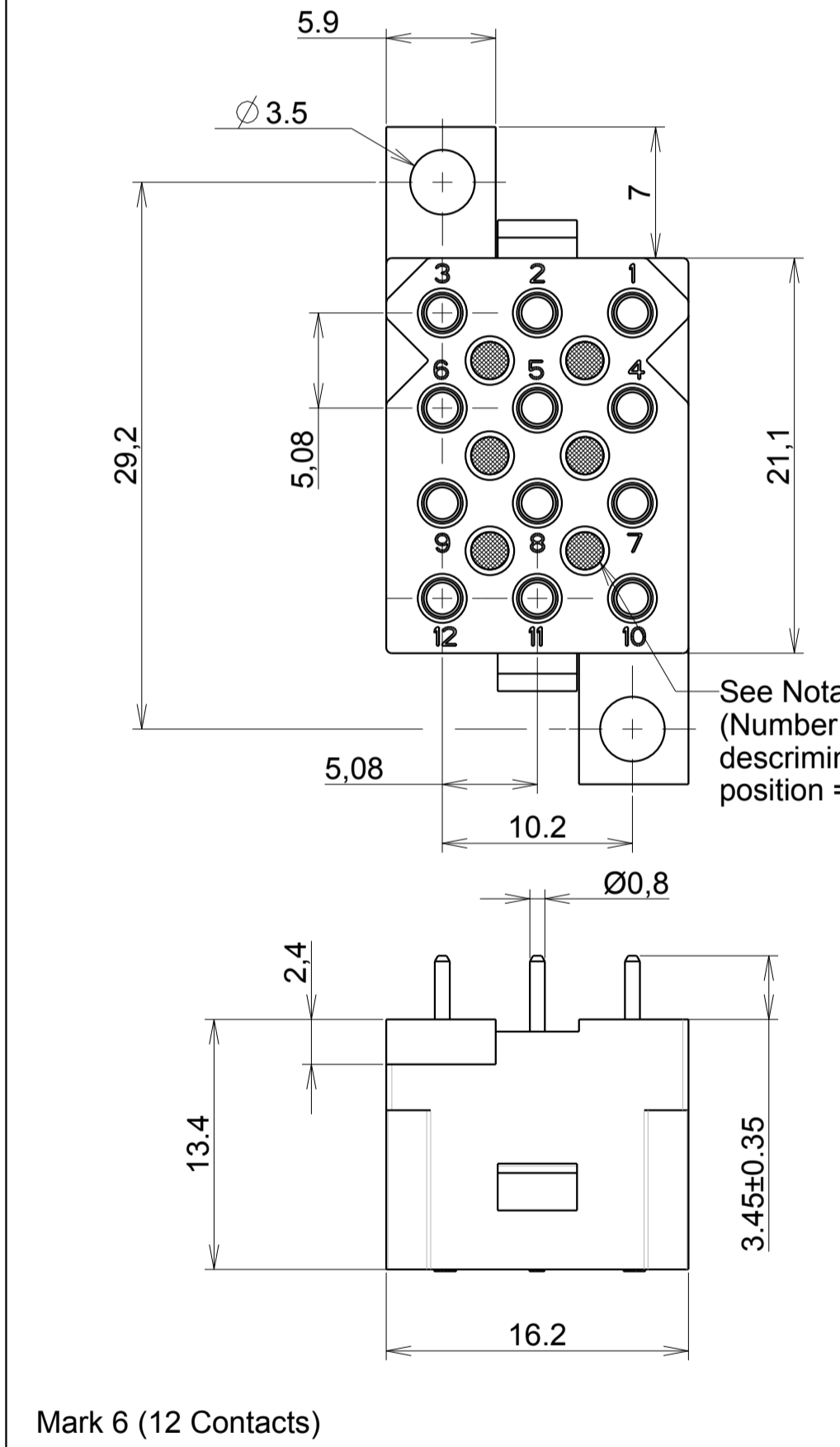
NOTA : Discrimination option : See drawing BS.C.201424.003



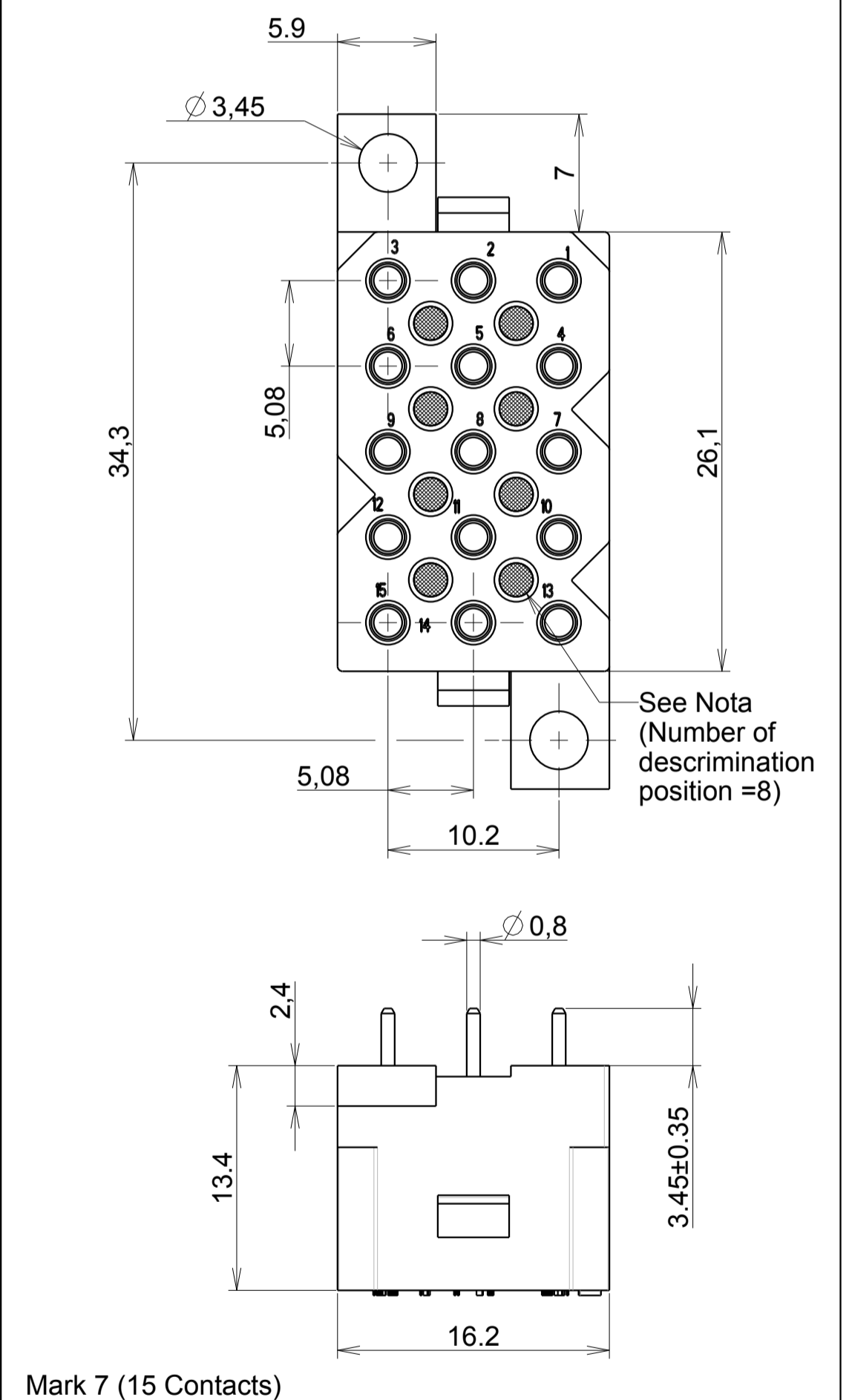
Mark 4 (6 Contacts)



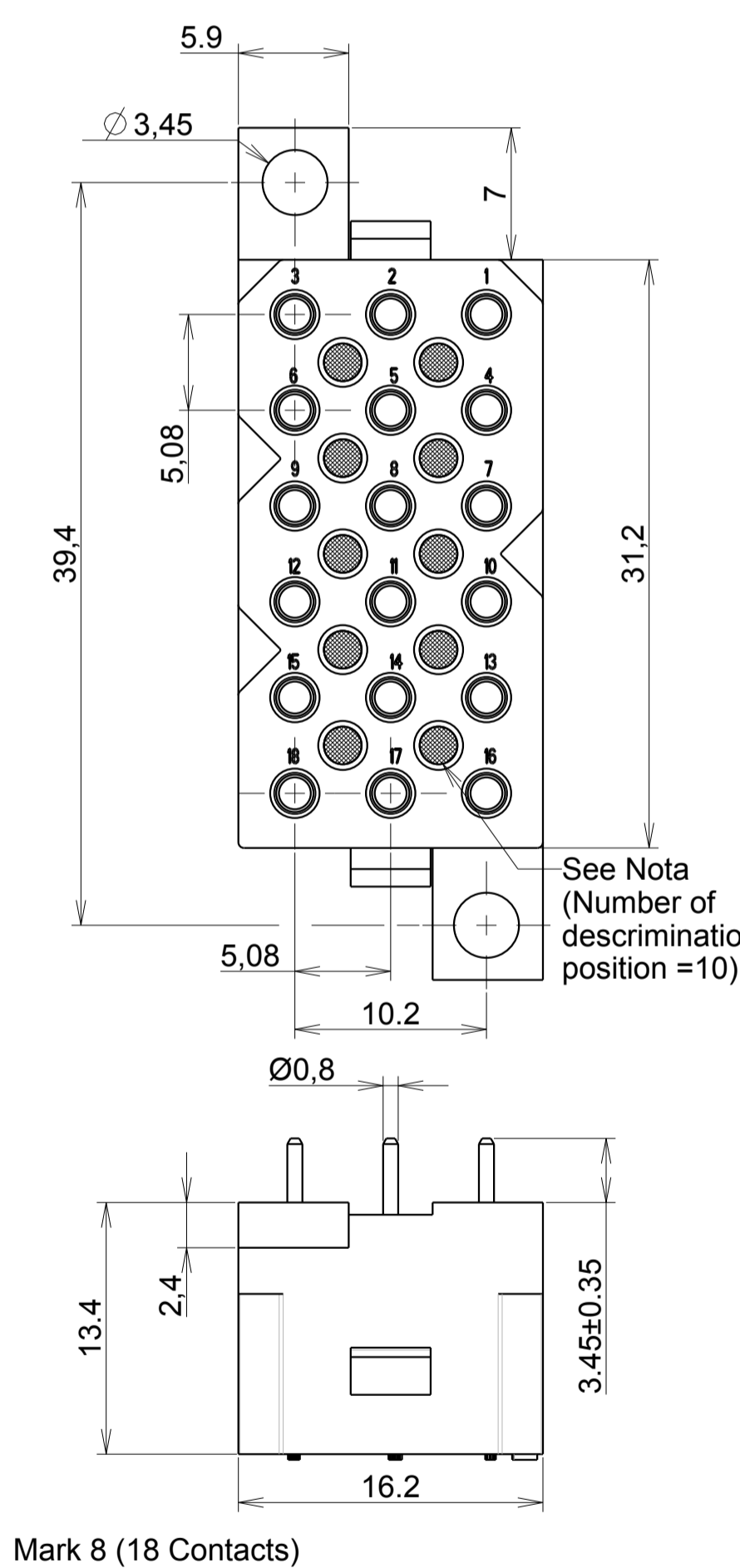
Mark 5 (9 Contacts)



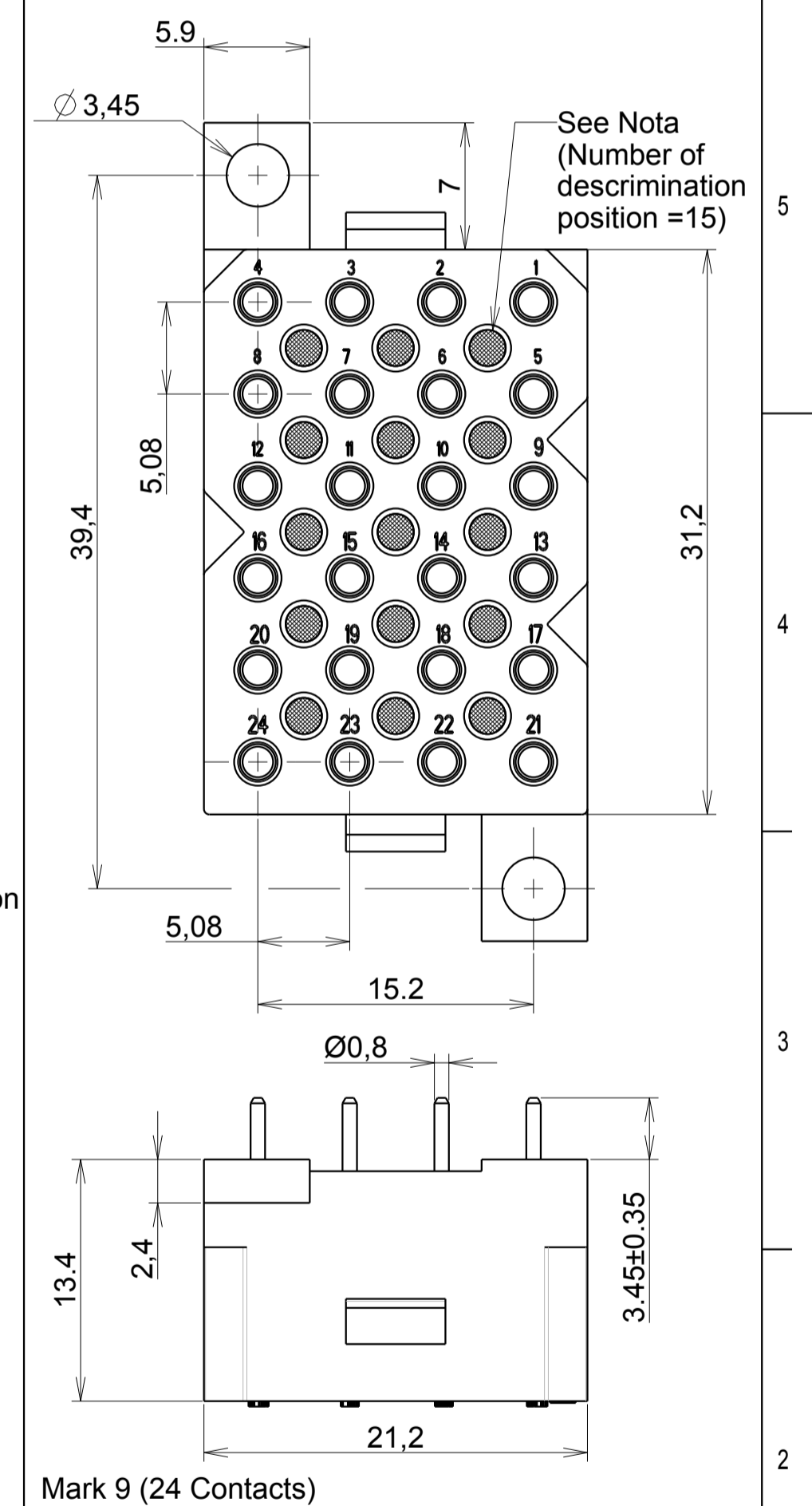
Mark 6 (12 Contacts)



Mark 7 (15 Contacts)



Mark 8 (18 Contacts)



Mark 9 (24 Contacts)

Mark	P/N	Layout	Designation	Material	Weight (grs)
10	SMS36GE43 SMS36GE33	36	MALE RECEPTACLE - 36 POINTS FEMALE RECEPTACLE - 36 POINTS	RECEPTACLE = POLYAMID PA 6.6 CONTACTS (See "table contacts")	31
9	SMS24GE43 SMS24GE33	24	MALE RECEPTACLE - 24 POINTS FEMALE RECEPTACLE - 24 POINTS	RECEPTACLE = POLYAMID PA 6.6 CONTACTS (See "table contacts")	20.3
8	SMS18GE43 SMS18GE33	18	MALE RECEPTACLE - 18 POINTS FEMALE RECEPTACLE - 18 POINTS	RECEPTACLE = POLYAMID PA 6.6 CONTACTS (See "table contacts")	15.1
7	SMS15GE43 SMS15GE33	15	MALE RECEPTACLE - 15 POINTS FEMALE RECEPTACLE - 15 POINTS	RECEPTACLE = POLYAMID PA 6.6 CONTACTS (See "table contacts")	12.6
6	SMS12GE43 SMS12GE33	12	MALE RECEPTACLE - 12 POINTS FEMALE RECEPTACLE - 12 POINTS	RECEPTACLE = POLYAMID PA 6.6 CONTACTS (See "table contacts")	10.2
5	SMS9GE43 SMS9GE33	9	MALE RECEPTACLE - 9 POINTS FEMALE RECEPTACLE - 9 POINTS	RECEPTACLE = POLYAMID PA 6.6 CONTACTS (See "table contacts")	7.9
4	SMS6GE43 SMS6GE33	6	MALE RECEPTACLE - 6 POINTS FEMALE RECEPTACLE - 6 POINTS	RECEPTACLE = POLYAMID PA 6.6 CONTACTS (See "table contacts")	5.5
3	SMS4GE43 SMS4GE33	4	MALE RECEPTACLE - 4 POINTS FEMALE RECEPTACLE - 4 POINTS	RECEPTACLE = POLYAMID PA 6.6 CONTACTS (See "table contacts")	3.3
2	SMS3GE43 SMS3GE33	3	MALE RECEPTACLE - 3 POINTS FEMALE RECEPTACLE - 3 POINTS	RECEPTACLE = POLYAMID PA 6.6 CONTACTS (See "table contacts")	2.5
1	SMS2GE43 SMS2GE33	2	MALE RECEPTACLE - 2 POINTS FEMALE RECEPTACLE - 2 POINTS	RECEPTACLE = POLYAMID PA 6.6 CONTACTS (See "table contacts")	1.1

PART NUMBER'S EXAMPLE SMS 36 GE 3 3

SMS CONNECTORS

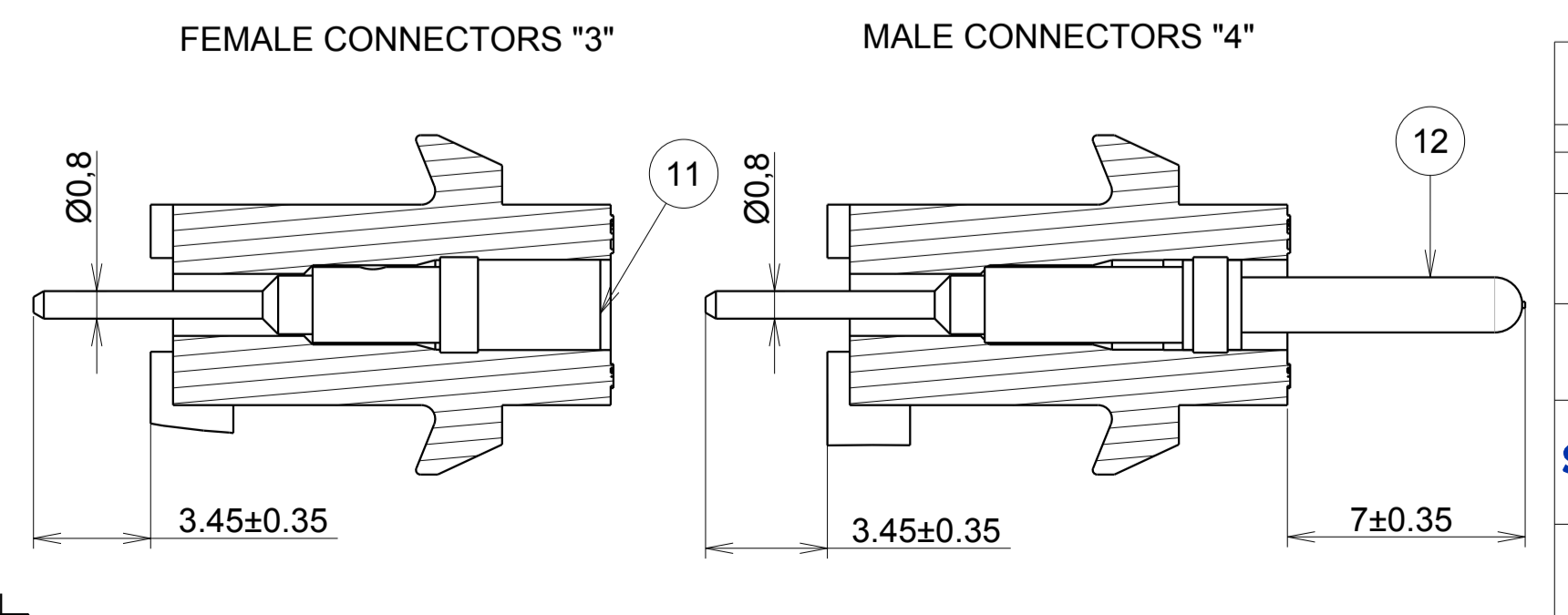
Layout

Solid machined contacts

"3" -->Female contact
"4" -->Male contact

Specif. =Fire Behaviour

CONTACTS (Already mounting)			
12	PIN	BRASS	0.4
11	SOCKET	BRASS	0.4
Mark	Designation	Material	Weight (grs)



31/01/13 Add clips on the connectors 36 contacts (Mark 10)-Folio 1

ISS DATE Latest modification - by: SORIN V. MOD N°

Designed by: SORIN V. Date: 14/06/11 CUSTOMER DRAWING

TITLE BOARDMOUNT QIKMATE - SMS
STRAIGHT BOARDMOUNT WITH CONTACT

Scale 3/1 General linear Tolerances: ± 0.5 NPRDS / PROJECT

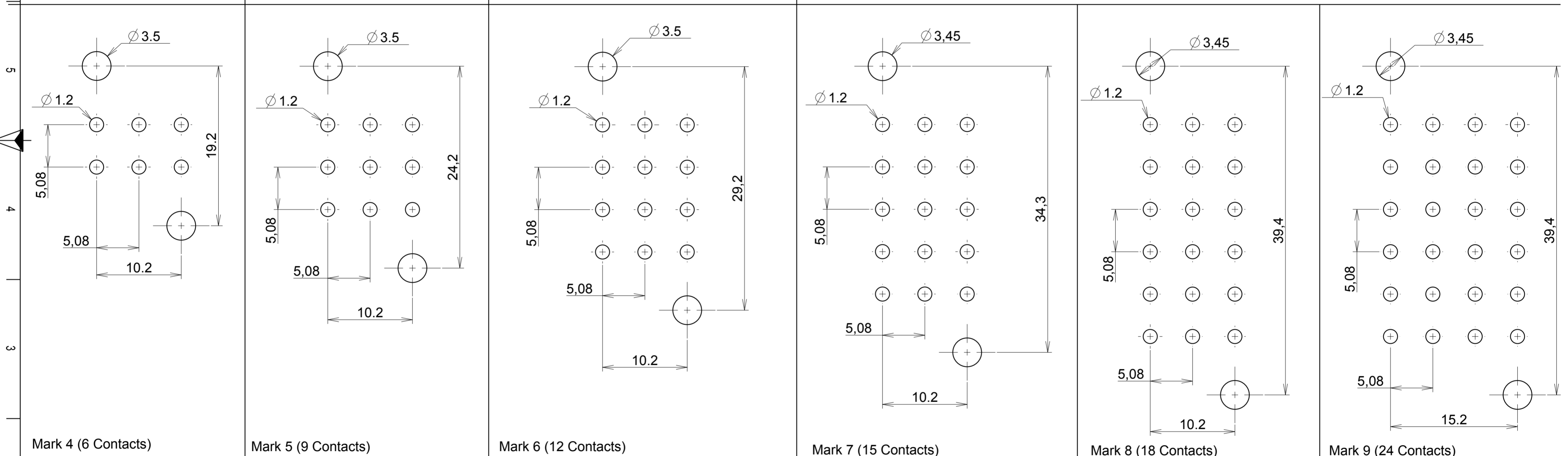
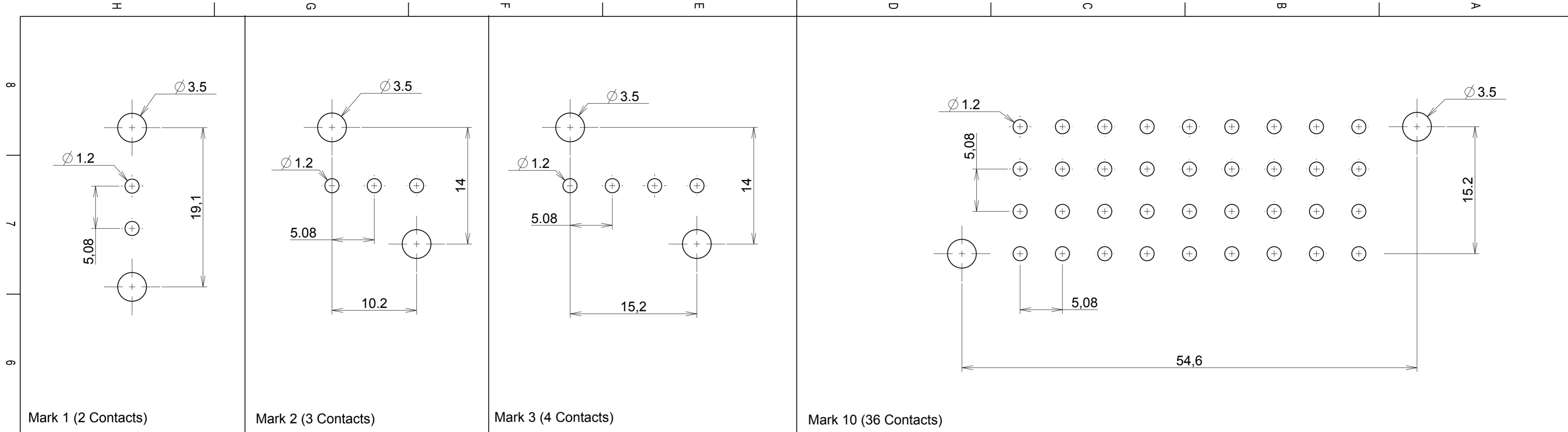
FORMAT A1 SOURIAU DRG N° SHEET 1 / 2

WWW.SOURIAU.COM

This document is the property of SOURIAU. It must not be reproduced or communicated without permission.

SOURIAU WWW.SOURIAU.COM

SMS-XX-GE33-GE43-C



RECOMMENDED PC-BORD HOLE LAY OUT FOR STRAIGHT MALE AND FEMALE BOARDMOUNT CONNECTORS

b		31/01/13		Add clips on the connectors 36 contacts (Mark 10)-Folio 1	
ISS	DATE	Latest modification - by:		SORIN V.	MOD N°
Designed by:		SORIN V.		Date: 30/06/11	CUSTOMER DRAWING
TITLE		BOARDMOUNT QIKMATE - SMS STRAIGHT BOARDMOUNT WITH CONTACT			
Scale	3/1	General linear Tolerances: ± 0.5		NPRDS / PROJECT	
SOURIAU		WWW.SOURIAU.COM		This document is the property of SOURIAU It must not be reproduced or communicated without permission	
FORMAT	A2	SOURIAU DRG N° SMS-XX-GE33-GE43-C			SHEET 2 / 2